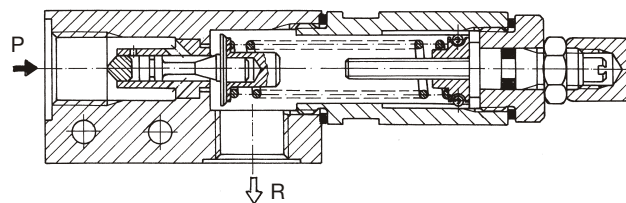
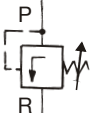


- The pressure relief valves are designed to protect hydraulic systems against overloading
- These valves can operate as a spillover valves
- The valves of this type have a spring loaded poppet, a full sealing on the seat and a hydraulic throttle enabling a quiet operation, without fluctuations of a preset pressure
- The desired pressure is obtained by turning the screwdriver and wheel
- Reliable operation and long life



TECHNICAL DATA

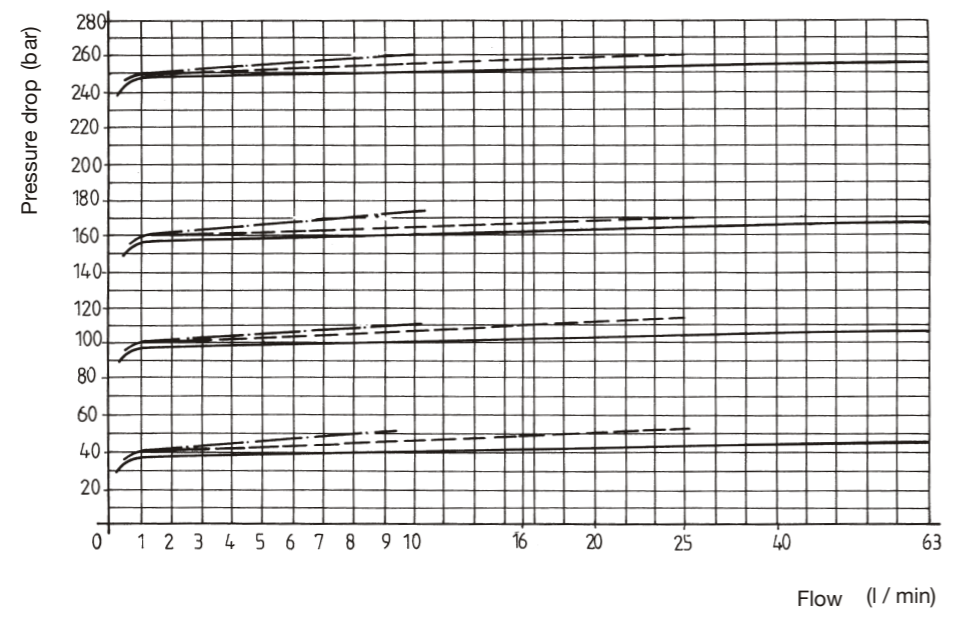
GENERAL

Nominal size	6	10	16
Symbol			
Mounting position	Optional		
Ambient temperature (°C)	... +50		
Mass (kg)			

HYDRAULIC

Working pressure (bar)	max 350		
Nominal flow (l/min)	10	25	63
Pressure setting range	see designation		
Working fluid	mineral oil		
	viscosity (mm ² s)	11,6 - 230	
	temperature (°C)	-20 ... +70	

CHARACTERISTIC DYAGRAMS



- ND.16
- ND.10
- · - · - ND.6

DESIGNATION

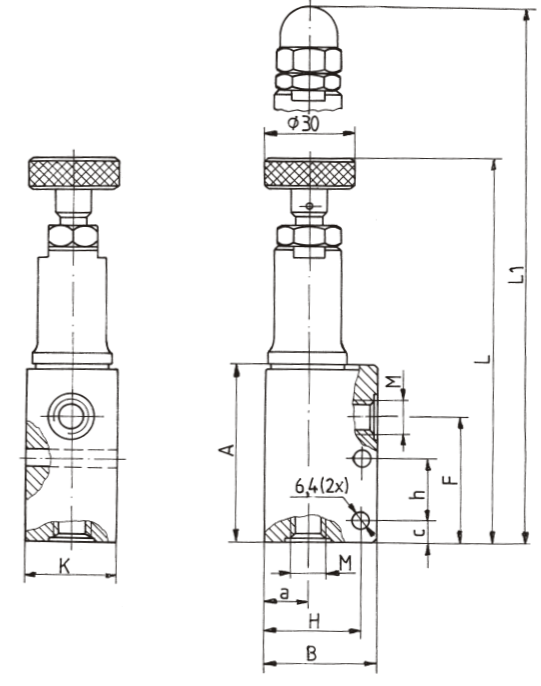
- Nominal size:
 - 2 = ND.6
 - 3 = ND.10
 - 4 = ND.16
- Pressure seting range:
 - 1 = 5 - 63 bar
 - 2 = 40 - 250 bar
 - 3 = 200 - 350 bar
- Mounting method:
 - 0 = in pipelines
 - 1 = on subplate - delivered with subplate
 - 2 = on subplate - delivered without subplate
- Press. adjust. method:
 - 1 = with wheel
 - 2 = with screwdriver

127 - 8. * * 00 - * *

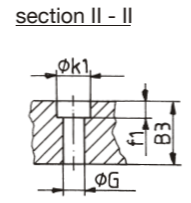
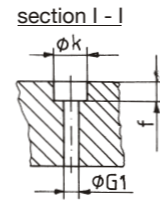
Note: O - rings are delivered together with the valves

MOUNTING DRAWING (dimensions in mm)

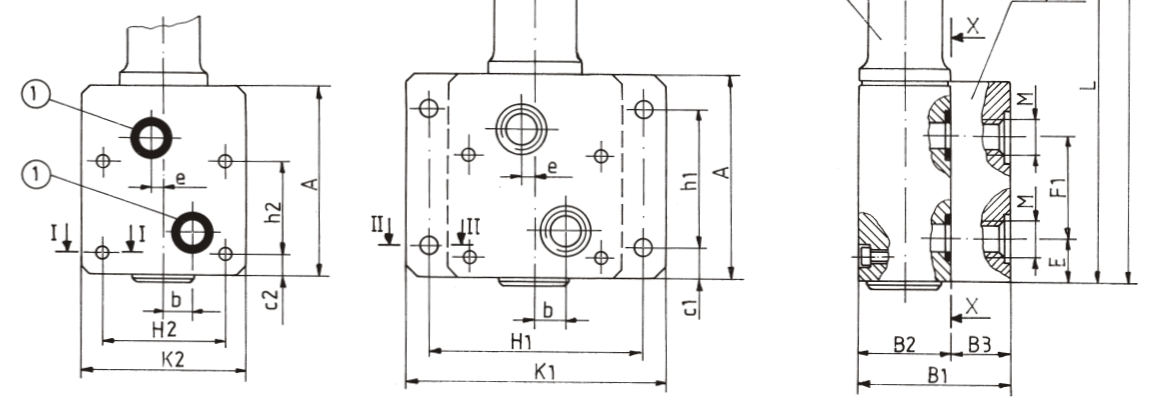
VALVES FOR PIPELINES MOUNTING



VALVES FOR SUBPLATE MOUNTING - DELIVERED WITH / WITHOUT SUBPLATE



section X - X



ND	A	B	B1	B2	B3	E	F	F1	G	G1	H	H1	H2	K	K1
6	60	36	50	30	20	12,5	44	32	6,4	6,4	29	64	40	28	78
10	73	40	59	34	25	16	54	41	6,4	8,4	32	76	48	30	90
16	94	50	68	40	28	30	70	40	6,4	8,4	42	78	48	40	94

ND	K2	LL	1a	b	c	c1	c2	e	f	f1	h1	h2	k	k1	M
6	52	141	138	14	8	8	10	7	7,5	7,5	40	30	11,5	11,5	M16x1,5
10	64	156	154	15	7,5	10	11	8	0	10	54	35	14,5	11,5	M20x1,5
16	64	205	203	20	15	10	12	8	5	10	70	50	14,5	11,5	M27x2

① O - ring 8,3x2,4 (za NO.6 / for ND.6); O - ring 10,3x2,4 (za NO.10 / for ND.10); O - ring 16,3x2,4 (za NO.16 / for ND.16);

WARNING

Errors in the selection or use of the products and / or systems described, can cause serious personal injury and property damage. It is critical that all aspects of the application and the operating conditions and products chosen are analyzed and re-examined. Making own tests and evaluations, the user is the only one able to ensure compliance with performance, safety and cautionary use requirements.

The general sales conditions are provided by Revortex in the sales offer and in the order confirmation.

Technical information, drawings, images and material characteristics in this catalog are just informative.

Certifications or declarations must be required during the offer request phase.

The logo is owned by Revortex.

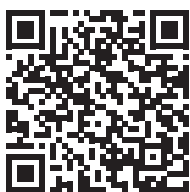
Descriptions, materials, product catalogs and price lists can be changed at any time without previous information.



Orders@revortex.eu



Technicalsupport@revortex.eu



Purchasing@revortex.eu

Revortex srl

Sede legale: Via Bruno Tosarelli, 23 - 40055 - Villanova di Castenaso - BO - Italy

Sede produttiva: Via Saragat, 26 - 40062 - Molinella - BO - Italy

info@revortex.eu - revortex.eu

PI 03738231202