

- The pressure relief valves are designed to protect hydraulic systems against overloading
- The valves of this type have a spring loaded poppet, a full sealing on the seat and a hydraulic throttle enabling a quiet operation, without fluctuations of a preset pressure
- The desired pressure is obtained by turning the key

## TECHNICAL DATA

### GENERAL

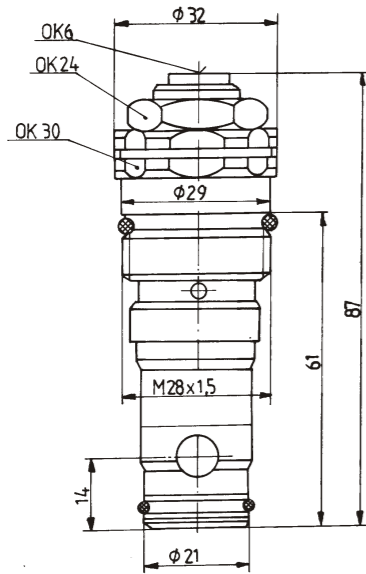
Nominal size	20	
Designation	1501.56.28	1501.56.28H
Symbol		
Mounting method	Cartridge type	
Mounting position	Optional	
Ambient temperature (°C)	... +50	
Mass (kg)	0,45	0,7

### HYDRAULIC

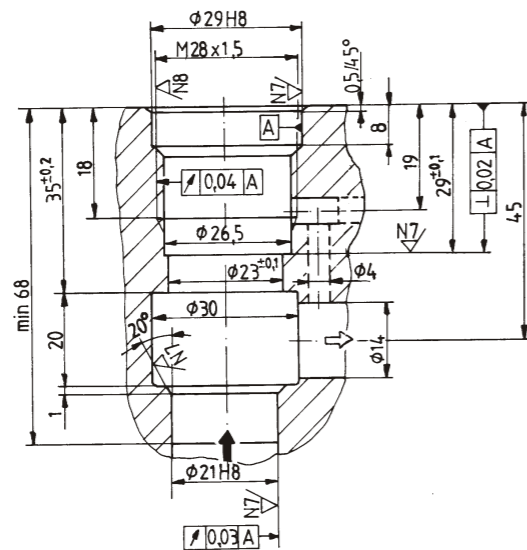
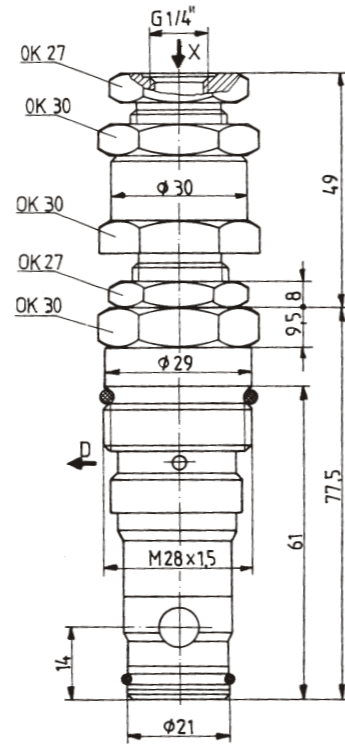
Pressure (bar)	Working	max 450	
	Pilot	-	30
Flow (l/min)	Nominal	80	
	Max	160	
Working fluid	mineral oil		
	viscosity (mm <sup>2</sup> s)	11,6 - 230	
	temperature (°C)	-20 ... +70	

**MOUNTING DRAWING** (dimension in mm)

Valve 1501.56.28



Valve 1501.56.28 H



**WARNING**

Errors in the selection or use of the products and / or systems described, can cause serious personal injury and property damage. It is critical that all aspects of the application and the operating conditions and products chosen are analyzed and re-examined. Making own tests and evaluations, the user is the only one able to ensure compliance with performance, safety and cautionary use requirements.

The general sales conditions are provided by Revortex in the sales offer and in the order confirmation. Technical information, drawings, images and material characteristics in this catalog are just informative. Certifications or declarations must be required during the offer request phase. The logo is owned by Revortex. Descriptions, materials, product catalogs and price lists can be changed at any time without previous information.



Orders@revortex.eu



Technicalsupport@revortex.eu



Purchasing@revortex.eu

Revortex srl

Sede legale: Via Bruno Tosarelli, 23 - 40055 - Villanova di Castenaso - BO - Italy

Sede produttiva: Via Saragat, 26 - 40062 - Molinella - BO - Italy

info@revortex.eu - revortex.eu

PI 03738231202