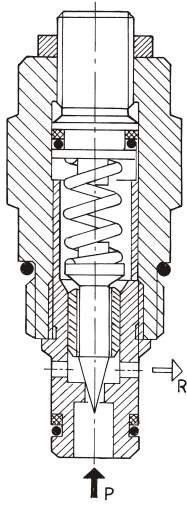


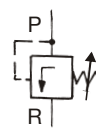
DIRECT OPERATED, CARTRIDGE TYPE



- The pressure relief valve are designed to protect hydraulic systems against overloading
- The valves of this type have a spring loaded poppet, a full sealing on the seat and a hydraulic throttle enabling a quiet operation, without fluctuations of a preset pressure
- The desired pressure is obtained by turning the key
- Reliable operated and long life

## TECHNICAL DATA

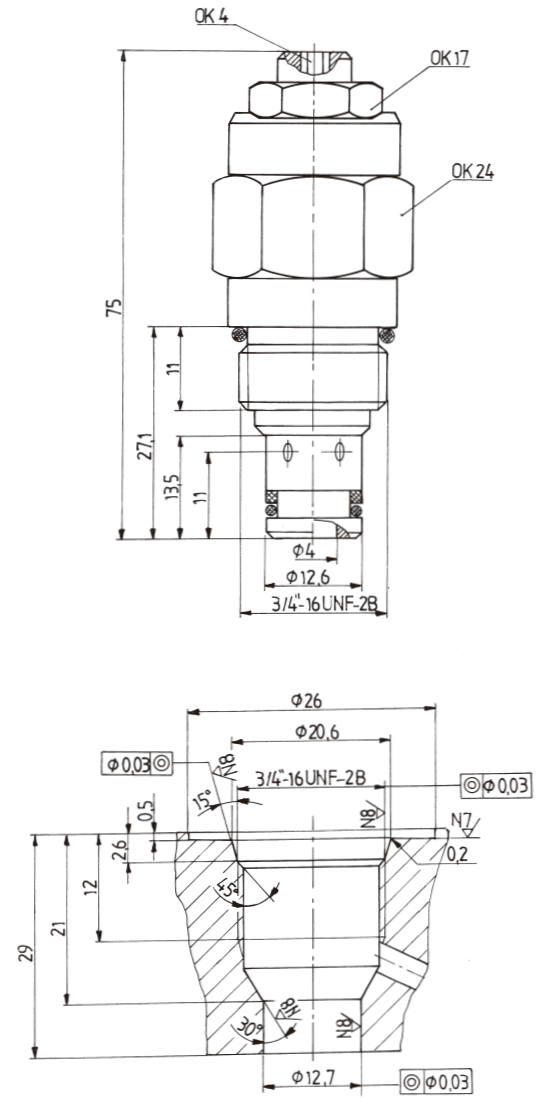
### GENERAL

Designation	<b>1501.04.28N</b>
Nominal size	4
Symbol	
Mounting position	Optional
Ambient temperature (°C)	... +50
Mass (kg)	0,2

### HYDRAULIC

Working pressure (bar)	max 250	
Nominal flow (l/min)	12	
Pressure setting range	40 ... 350	
Working fluid	mineral oil	
	viscosity (mm <sup>2</sup> s)	11,6 - 230
	temperature (°C)	-20 ... +70

**MOUNTING DRAWING** (dimensions in mm)



**WARNING**

Errors in the selection or use of the products and / or systems described, can cause serious personal injury and property damage. It is critical that all aspects of the application and the operating conditions and products chosen are analyzed and re-examined. Making own tests and evaluations, the user is the only one able to ensure compliance with performance, safety and cautionary use requirements.

The general sales conditions are provided by Revortex in the sales offer and in the order confirmation. Technical information, drawings, images and material characteristics in this catalog are just informative. Certifications or declarations must be required during the offer request phase. The logo is owned by Revortex. Descriptions, materials, product catalogs and price lists can be changed at any time without previous information.



Orders@revortex.eu



Technicalsupport@revortex.eu



Purchasing@revortex.eu

Revortex srl  
Sede legale: Via Bruno Tosarelli, 23 - 40055 - Villanova di Castenaso - BO - Italy  
Sede produttiva: Via Saragat, 26 - 40062 - Molinella - BO - Italy  
info@revortex.eu - revortex.eu  
PI 03738231202