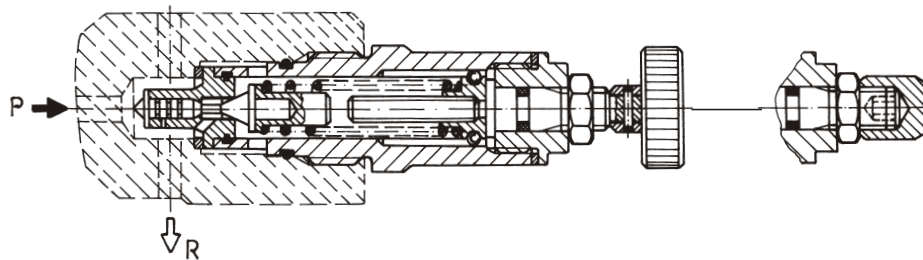
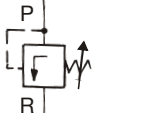


- The pressure relief valves are designed to protect hydraulic systems against overloading
- These valves can operate as a spillover valves
- The valves of this type have a spring loaded poppet, a full sealing on the seat and a hydraulic throttle enabling a quiet operation, without fluctuations of a preset pressure
- The desired pressure is obtained by turning the screwdriver and wheel
- Reliable operated and long life



TECHNICAL DATA

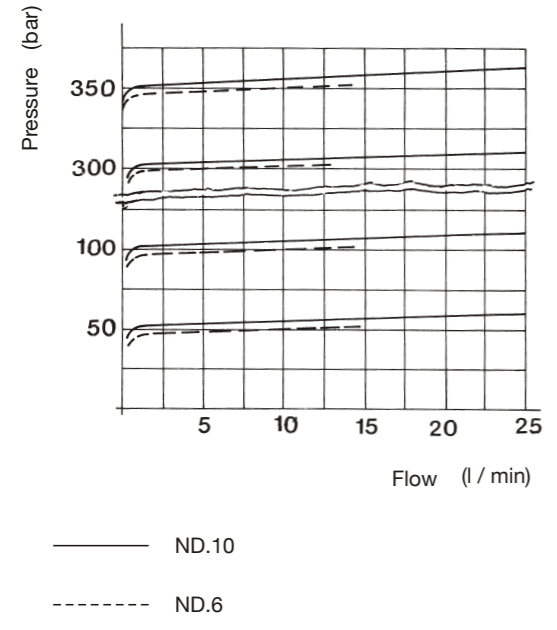
GENERAL

Nominal size	6	10
Symbol		
Mounting position	Optional	
Ambient temperature (°C)	... +50	
Mass (kg)	0,24	0,37

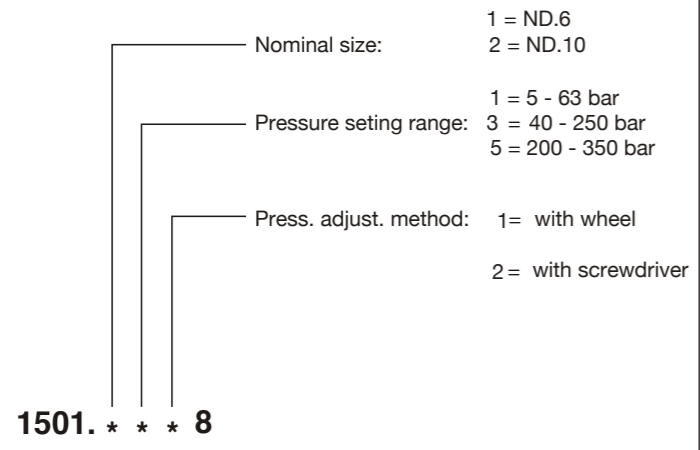
HYDRAULIC

Working pressure (bar)	max 350	
Nominal flow (l/min)	10	25
Pressure setting range	see designation	
Working fluid	mineral oil	
	viscosity (mm ² s)	11,6 - 230
	temperature (°C)	-20 ... +70

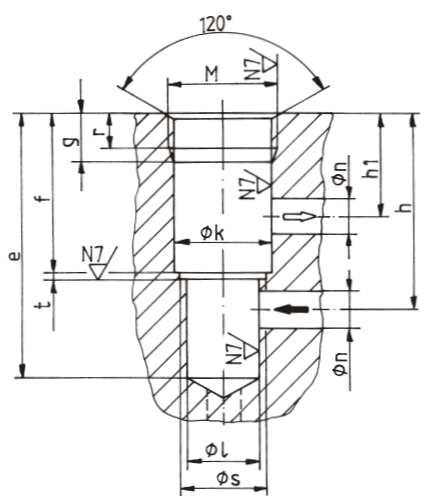
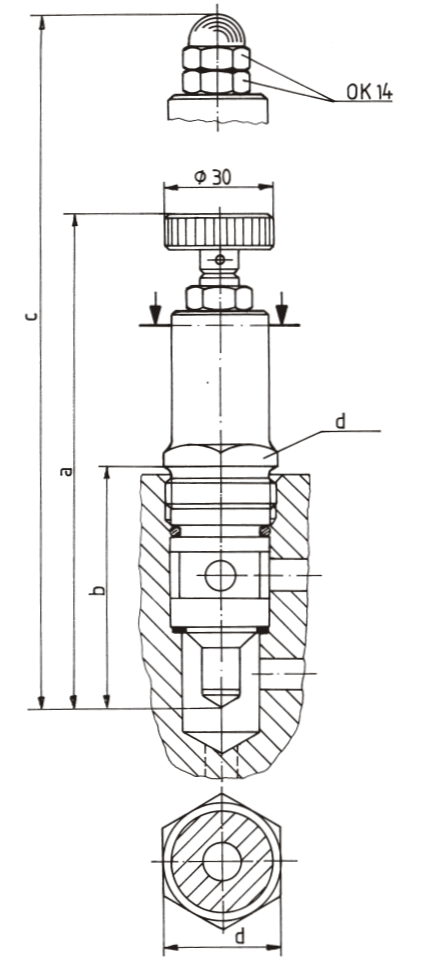
CHARACTERISTIC DYAGRAMS



DESIGNATION



MOUNTING DRAWING (dimensions in mm)



ND	a	b	c	d	e	f	g	h	h1
6	134	55	129	27	56	40	16 ^{+0.1}	52	31
10	147	66	142	32	74	43,5	12 ^{+0.1}	53	27,5

ND	∅k	∅l	M	r	∅n	t	∅s
6	24H9	15	M27x2	12	6	0,5	21
10	28H9	20	M30x1,5	9	10	0	-

WARNING

Errors in the selection or use of the products and / or systems described, can cause serious personal injury and property damage. It is critical that all aspects of the application and the operating conditions and products chosen are analyzed and re-examined. Making own tests and evaluations, the user is the only one able to ensure compliance with performance, safety and cautionary use requirements.

The general sales conditions are provided by Revortex in the sales offer and in the order confirmation. Technical information, drawings, images and material characteristics in this catalog are just informative. Certifications or declarations must be required during the offer request phase. The logo is owned by Revortex. Descriptions, materials, product catalogs and price lists can be changed at any time without previous information.



Orders@revortex.eu



Technicalsupport@revortex.eu



Purchasing@revortex.eu

Revortex srl

Sede legale: Via Bruno Tosarelli, 23 - 40055 - Villanova di Castenaso - BO - Italy
 Sede produttiva: Via Saragat, 26 - 40062 - Molinella - BO - Italy
 info@revortex.eu - revortex.eu
 PI 03738231202