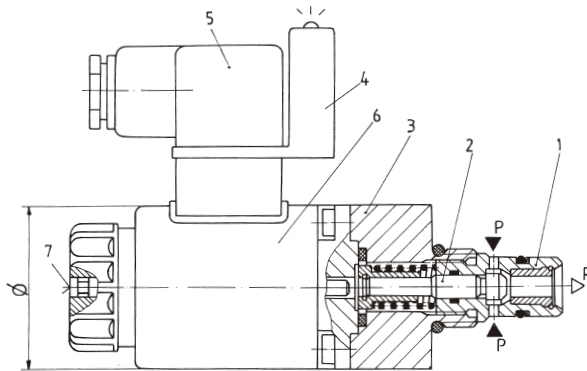


CARTRIDGE TYPE, SOLENOID OPERATED

- Simple design, poppet /ball type
- International connecting dimensions
- Many variants of directional control
- Standard voltage options for AC and DC controls
- Solenoid indicator lights on request
- Electrical connection by DIN 43650
- All valves have wet -armature solenoids



1. Poppet
2. Spool
3. Housing
4. Indicator
5. Connector
6. Solenoid
7. Hand operation

## TECHNICAL DATA

### GENERAL

Nominal size	6	
Symbol	A, C	B
Mounting method	See designation	
Mounting position	On subplate	
Ambient temperature (°C)	Optional	
Mass (kg)	With block	1,6
	Without block	1,2

### HYDRAULIC

Pressure (bar)	max 315	
Flow (l/min)	max 20	
Working fluid	mineral oil	
	viscosity (mm <sup>2</sup> s)	11,6 - 230
	temperature (°C)	-20 ... +70

### ELECTRICAL

Solenoid.	Voltage (V)	DC	12; 24; 48; 110; 220
		AC	110; 220
	Frequency (Hz)	DC	0
		AC	50; 60;
	Nominal amperge (A)	DC	3,1; 1,5; 0,78; 0,3; 0,13
		AC	
Relative duty factor (ED)		100 %	
Waterproof		IP 54	

**DESIGNATION**

Valve type: 2 = 2/2 (symbols A, C)  
3 = 3/2 (symbol B)

Symbol(variant):  
A =   
B =   
C =

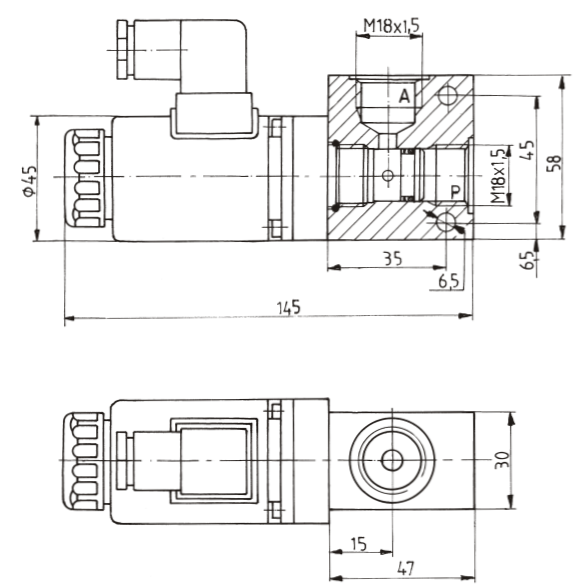
Mounting:  
1 = with block  
- = without block

Voltage:  
J012 = 12V DC  
J024 = 24V DC  
J048 = 48V DC  
J110 = 110V DC  
N 110 - 50 = 110V; 50 Hz  
N 220 - 50 = 220V; 50 Hz

177 - 1 \*\*00 \* / \*

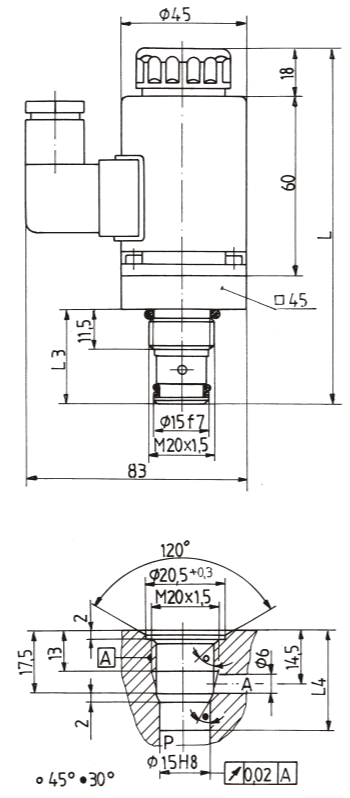
**MOUNTING DRAWING** (dimensions in mm)

VALVE, symbol A, C (with block)

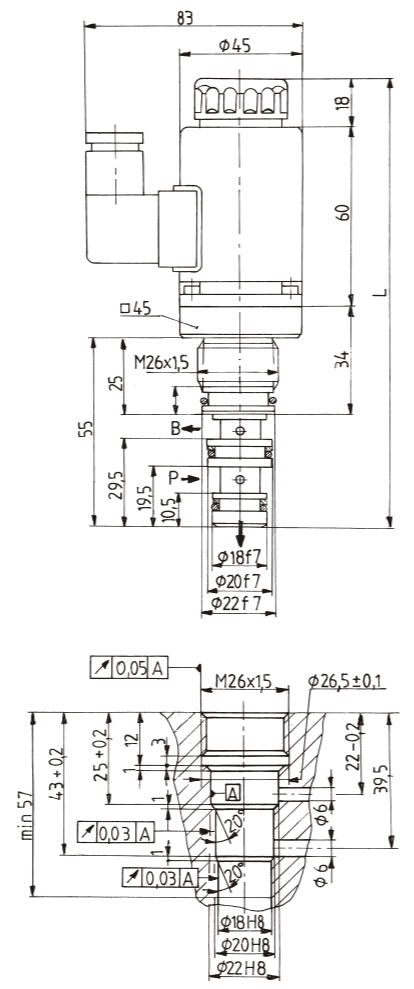


**MOUNTING DRAWING** (dimensions in mm)

VALVE, symbol A, C



VALVE, symbol B



VALVE, symbol	L	L2	L3
A	127	31,5	33
B	148	-	-
C	125	26,5	28

**WARNING**

Errors in the selection or use of the products and / or systems described, can cause serious personal injury and property damage. It is critical that all aspects of the application and the operating conditions and products chosen are analyzed and re-examined. Making own tests and evaluations, the user is the only one able to ensure compliance with performance, safety and cautionary use requirements. The general sales conditions are provided by Revortex in the sales offer and in the order confirmation. Technical information, drawings, images and material characteristics in this catalog are just informative. Certifications or declarations must be required during the offer request phase. The logo is owned by Revortex. Descriptions, materials, product catalogs and price lists can be changed at any time without previous information.



Orders@revortex.eu



Technicalsupport@revortex.eu



Purchasing@revortex.eu

Revortex srl  
Sede legale: Via Bruno Tosarelli, 23 - 40055 - Villanova di Castenaso - BO - Italy  
Sede produttiva: Via Saragat, 26 - 40062 - Molinella - BO - Italy  
info@revortex.eu - revortex.eu  
PI 03738231202