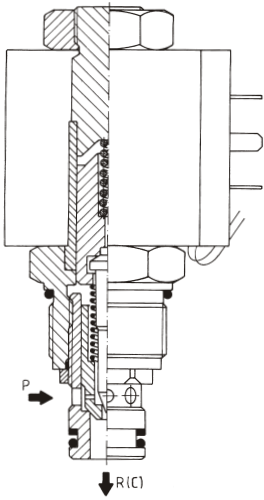


CARTRIDGE TYPE, SOLENOID OPERATED



- Simple design, with longitudinally sliding spool or poppet / ball type
- International connecting dimensions
- Exception small dimensions
- Many variants of directional control
- Rotary solenoid for AC and DC controls
- Electrical connection by DIN 43650, connector plugs on request

TECHNICAL DATA

GENERAL

Nominal size	4
Symbol	See designation
Mounting method	Cartridge type
Mounting position	Optional
Ambient temperature (°C)	...+50
Mass (kg)	0,4

HYDRAULIC

Pressure (bar)	max 315	
Flow (l/min)	max 12	
Working fluid	mineral oil	
	viscosity (mm ² s)	11,6 - 230
	temperature (°C)	-20 ... +70

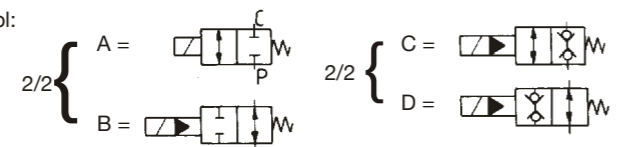
ELECTRICAL

Solenoid.	Voltage (V)	DC	12; 24; 48; 110; 220
		AC	110; 220
	Frequency (Hz)	DC	0
		AC	50; 60;
	Nominal amperge (A)	DC	3,1; 1,5; 0,78; 0,3; 0,13
		AC	
Relative duty factor (ED)		100 %	
Waterproof		IP 54	

DESIGNATION

Number way / number position: 00 = 2/2

Symbol:

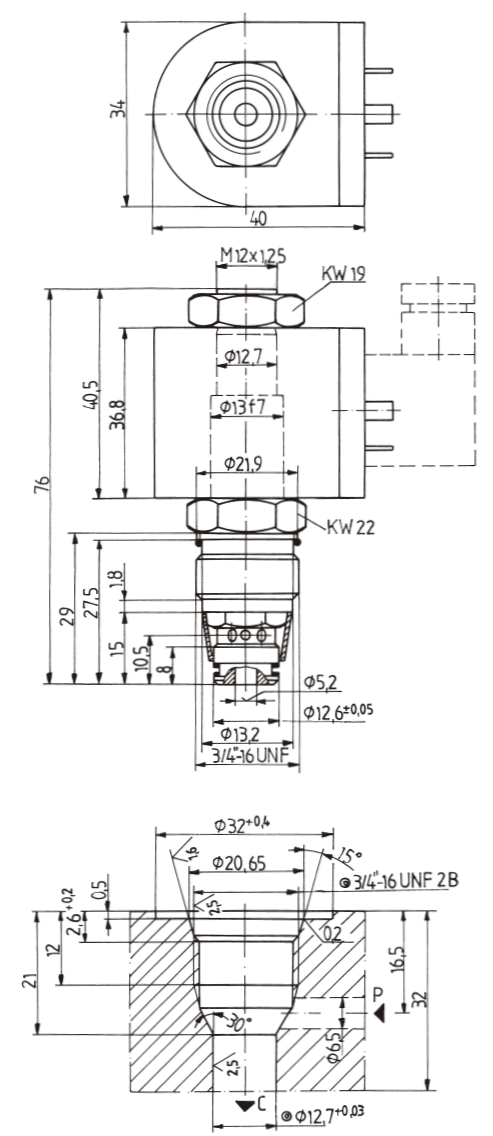


Voltage:

- J012 = 12V DC
- J024 = 24V DC
- J048 = 48V DC
- J110 = 110V DC
- N 110 - 50 = 110V; 50 Hz
- N 220 - 50 = 220V; 50 Hz

177 - 21 ** / *

MOUNTING DRAWING (dimensions in mm)



WARNING

Errors in the selection or use of the products and / or systems described, can cause serious personal injury and property damage. It is critical that all aspects of the application and the operating conditions and products chosen are analyzed and re-examined. Making own tests and evaluations, the user is the only one able to ensure compliance with performance, safety and cautionary use requirements. The general sales conditions are provided by Revortex in the sales offer and in the order confirmation. Technical information, drawings, images and material characteristics in this catalog are just informative. Certifications or declarations must be required during the offer request phase. The logo is owned by Revortex. Descriptions, materials, product catalogs and price lists can be changed at any time without previous information.



Orders@revortex.eu



Technicalsupport@revortex.eu



Purchasing@revortex.eu

Revortex srl

Sede legale: Via Bruno Tosarelli, 23 - 40055 - Villanova di Castenaso - BO - Italy
 Sede produttiva: Via Saragat, 26 - 40062 - Molinella - BO - Italy
 info@revortex.eu - revortex.eu
 PI 03738231202