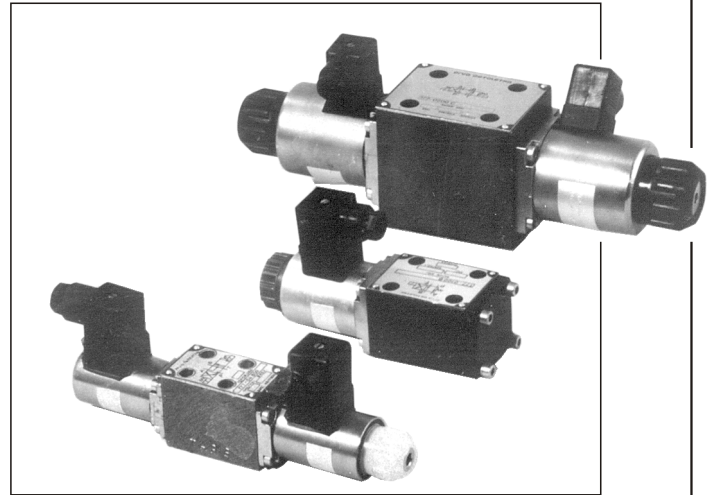
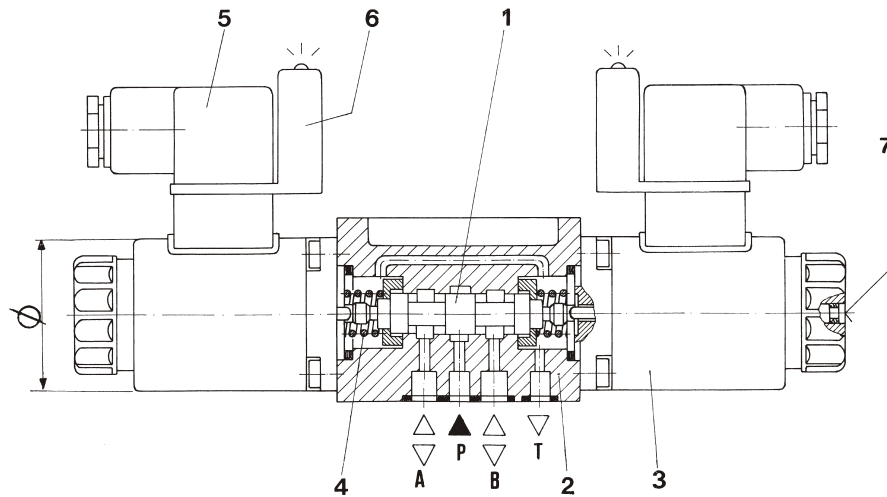


SPOOL TYPE, SOLENOID OPERATED

- Simple design with axially sliding spool
- Housing made of high - grade nodular casting
- Good pressure balancing, i. e. small operating force
- International connecting dimensions
- Many variants of directional control
- Standard voltage options for AC and DC controls
- Solenoid indicator lights on request
- Electrical connection by DIN 43650
- All valves have wet - armature solenoids
- The spool can be hand operated without energising the



## SECTION - MODE OF OPERATION



1. Spool
2. Housing
3. Solenoid
4. Spring
5. Connector
6. Indicator
7. Hand operation

**TECHNICAL DATA**

**GENERAL**

Nominal size	4	6	10	
Symbol	See designation			
Mounting method	On subplate			
Ambient temperature (°C)	...+50			
Mass (kg)	Symbols A,B,K,P,T,U,Y,Z,X,R Symbols C,D,E,F,G,H,L,M,V	1,4 1,9	1,7 2,3	4,6 6,2

**HYDRAULIC**

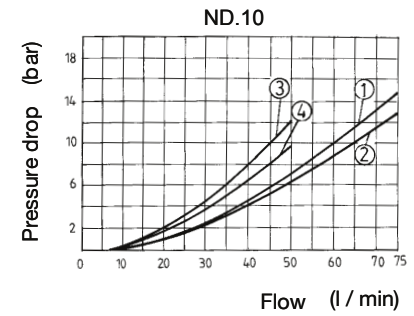
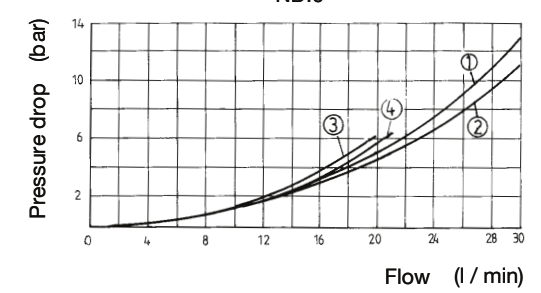
Pressure (bar)	lines A, B, P	max 250	max 315	max 210
	Vod / Line T	max 60	max 63	max 63
Flow (l/min)	See table			
Working fluid	mineral oil			
	viscosity (mm <sup>2</sup> /s)	11,6 - 230		
	temperature (°C)	-20 - +70		

**ELECTRICAL**

Voltage (V)	DC	12; 24; 48; 110; 220		
	AC	110; 220		
Frequency (Hz)	DC	0		
	AC	50; 60;		
Solenoid. Nominal amperage (A)	DC	1,6; 0,8; 0,5; 0,2; 0,1;	3,1; 1,5; 0,79; 0,3; 0,17	4,2; 2,1; 1; 0,4; 0,18;
	AC			
Relative duty factor (ED)	100%			
Waterproof	IP 65 DIN 40050			

ND	Pressure (bar)	Flow (l/min)							
		symbols E,H,X	symbols B, C, R, S, T, P, U, Y, Z	symbol L	symbols G, M, V, J	symbols A, K ↔ DC ↔ AC	symbols D, F ↔ DC ↔ AC		
6	50	25	25	25	25	25	20	20	15
	100	25	25	25	25	25	16	20	15
	200	25	25	20	20	18	12	20	15
	250	25	20	20	20	15	10	17	15
	315	25	15	15	15	15	10	15	15
10	50	70	70	70	70	45		50	
	100	65	65	65	55	35		50	
	210	55	55	55	40	25		45	

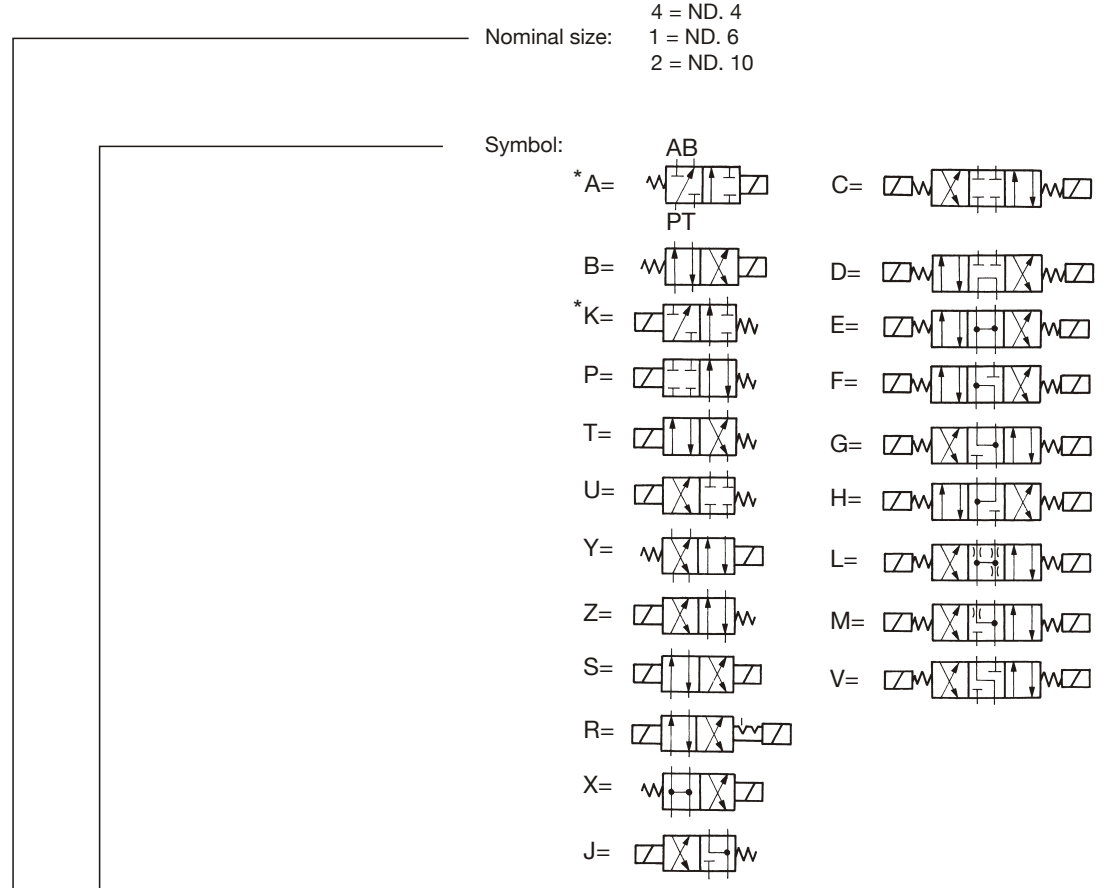
**CHARACTERISTIC DIAGRAMS** (oil viscosity 60mm<sup>2</sup>/s)



Symbol	Flow direction		
	P ↔ A	P ↔ B	P ↔ T
A, B, K, R, S, T, Y, Z, M	①	①	-
C, E, F, G, H, P, V, U, J, X, L	②	②	-
D	④	④	③

**DESIGNATION**

**VALVES**



\* Port T is used as drain port

Voltage:  
J012 = 12V DC  
J024 = 24V DC  
J048 = 48V DC  
J110 = 110V DC  
N110 - 50 = 110V; 50Hz  
N220 - 50 = 220V; 50Hz

177 - 0 \* 00 k \*

SUBPLATES (see chapter M)

Nominal size:  
040 = ND. 4  
130 = ND. 6  
140 = ND. 10

- = ND. 4  
1 = ND. 6, ND.10

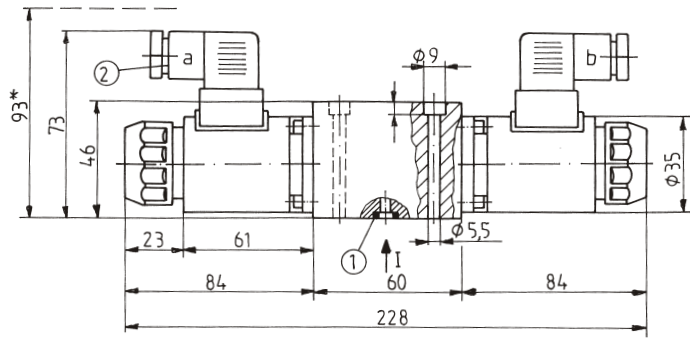
95 - 0 \* - \*

Note: O - rings are delivered together with the valves

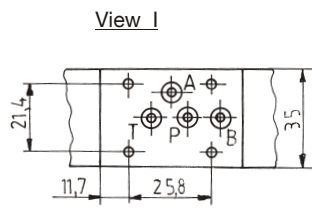
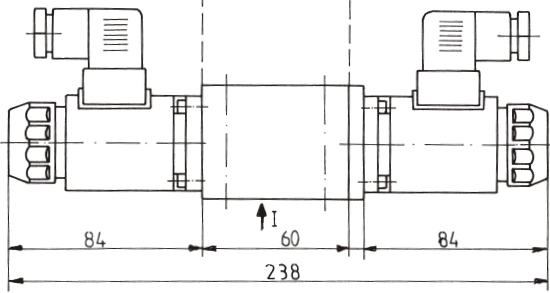
**MOUNTING DRAWING** (dimensions in mm)

ND. 4

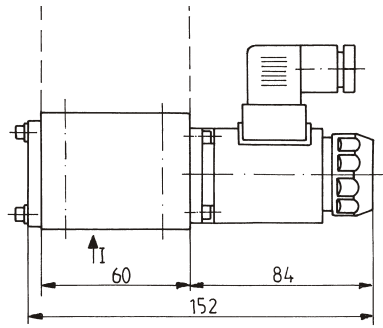
Symbols: C, D, E, F, G, H, L, M, V



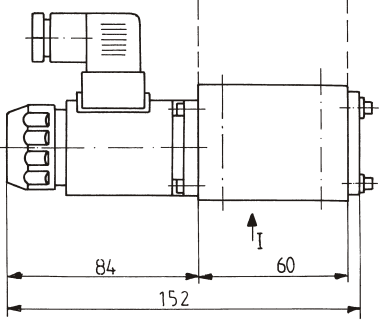
Symbol: R



Symbols: A, B, X, Y



Symbols: K, P, T, U, Z



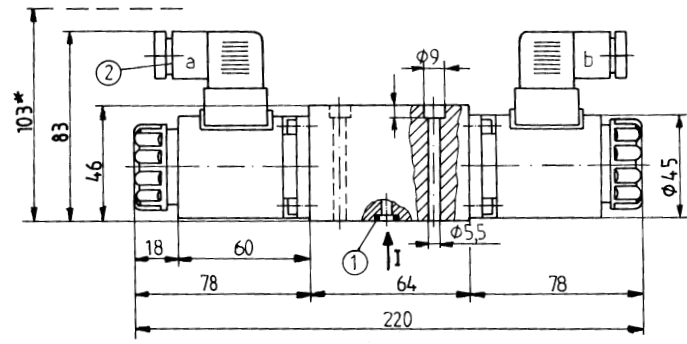
- ① O - ring 6,1x1,6
- ② peage APg 11 / 7

\* For nominal voltage 110/220 V; 50 Hz

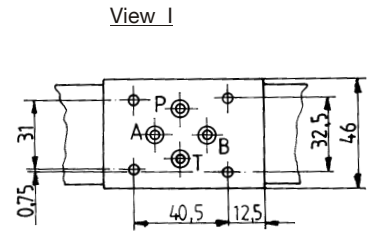
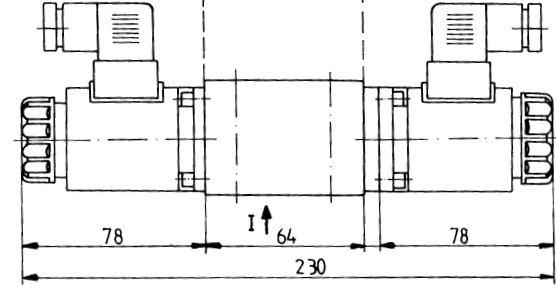
**MOUNTING DRAWING** (dimensions in mm)

ND. 6

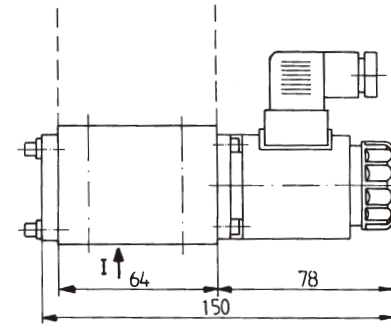
Symbols: C, D, E, F, G, H, L, M, V



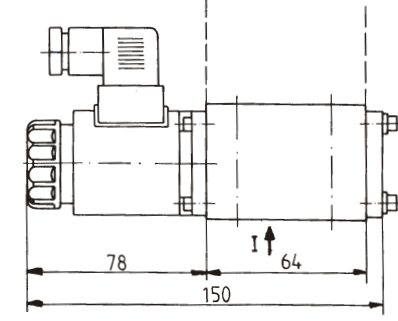
Symbol: R



Symbols: A, B, X, Y



Symbols: K, P, T, U, Z



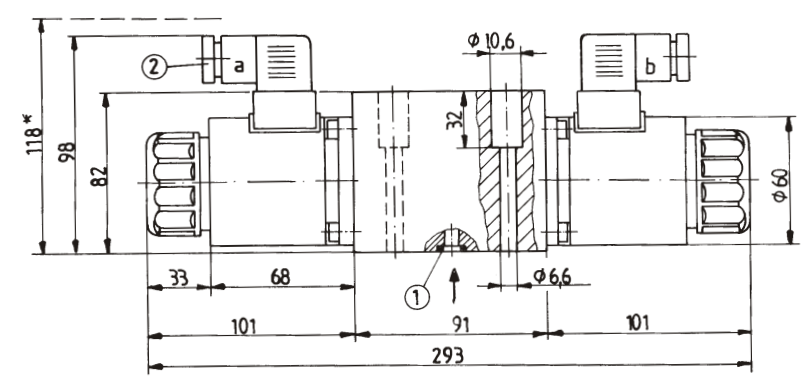
- ① O - ring 8x2
- ② peage APg 11 / 7

\* For nominal voltage 110/220 V; 50 Hz

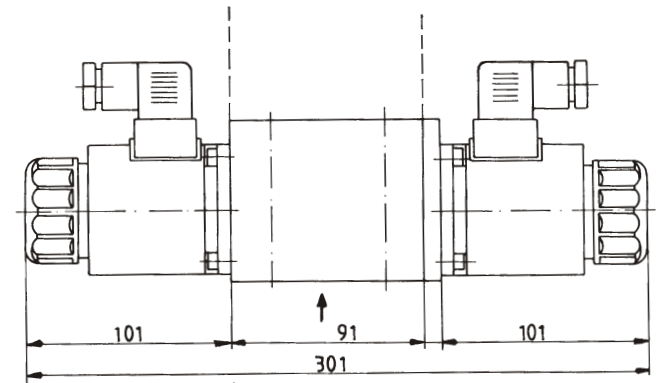
**MOUNTING DRAWING** (dimensions in mm)

ND. 10

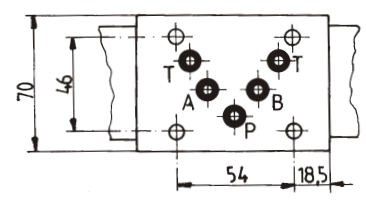
Symbols: C, D, E, F, G, H, L, M, V



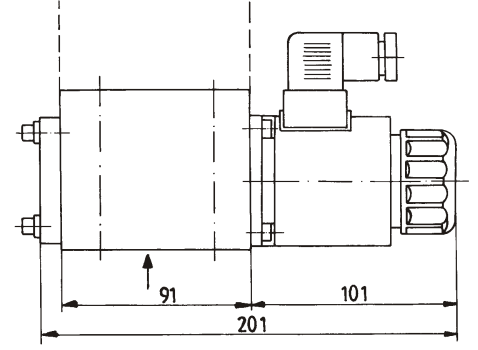
Symbol: R



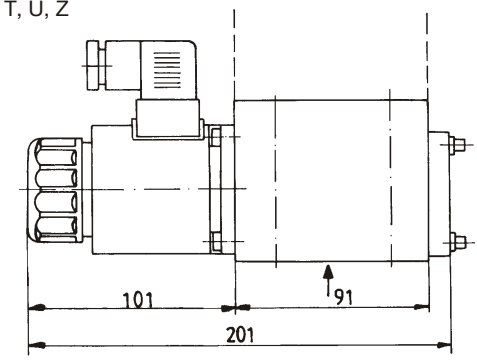
View I



Symbols: A, B, X, Y



Symbols: K, P, T, U, Z



① O - ring 12,3x2,4 ② peage APg 11 / 7

\* For nominal voltage 110/220 V; 50 Hz

**WARNING**

Errors in the selection or use of the products and / or systems described, can cause serious personal injury and property damage. It is critical that all aspects of the application and the operating conditions and products chosen are analyzed and re-examined. Making own tests and evaluations, the user is the only one able to ensure compliance with performance, safety and cautionary use requirements.

The general sales conditions are provided by Revortex in the sales offer and in the order confirmation. Technical information, drawings, images and material characteristics in this catalog are just informative. Certifications or declarations must be required during the offer request phase. The logo is owned by Revortex. Descriptions, materials, product catalogs and price lists can be changed at any time without previous information.



Orders@revortex.eu



Technicalsupport@revortex.eu



Purchasing@revortex.eu

Revortex srl

Sede legale: Via Bruno Tosarelli, 23 - 40055 - Villanova di Castenaso - BO - Italy

Sede produttiva: Via Saragat, 26 - 40062 - Molinella - BO - Italy

info@revortex.eu - revortex.eu

PI 03738231202