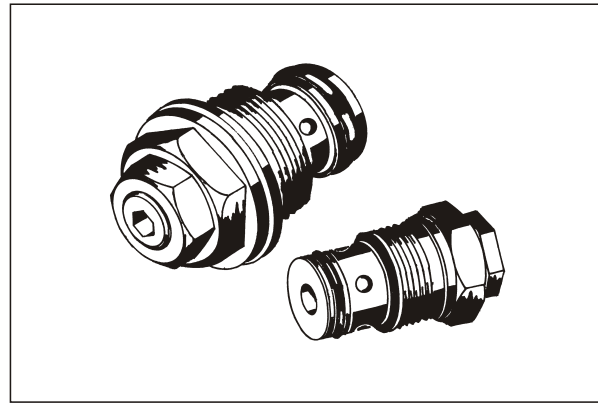
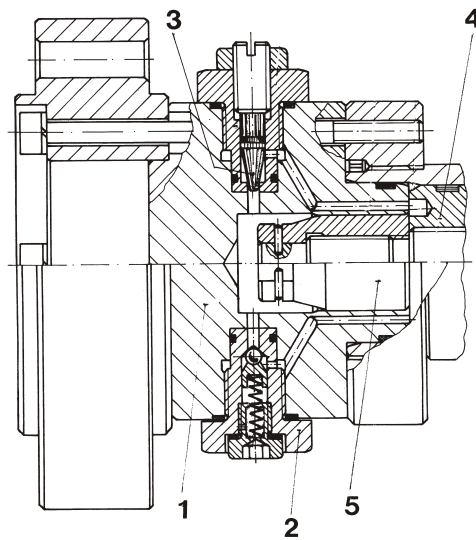


- These valves are applied in cylinders in which the piston rod speed  $> 0,1$  m/s
- Check valve enables evasion of throttle point when starting the piston of a cylinder from its limited position. Simultaneously, the valve is used as a vent plug
- Throttle valve enables hydraulic breaking of cylinder at the end of a stroke (the smaller cross - section on throttle valve - the more intensive breaking of cylinder)


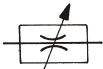


1. Cylinder - head
2. Check valve
3. Throttle valve
4. Cylinder - piston
5. Throttle bushing



### TECHNICAL DATA

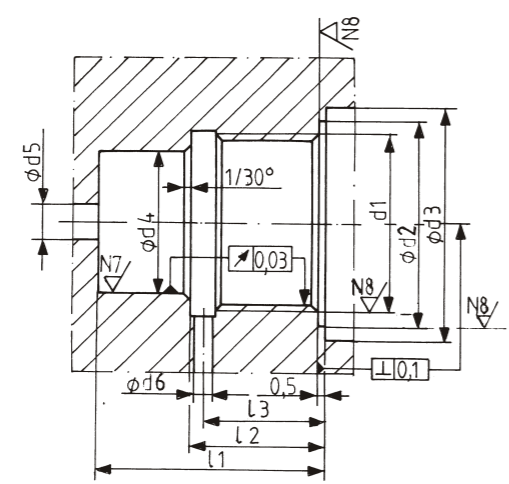
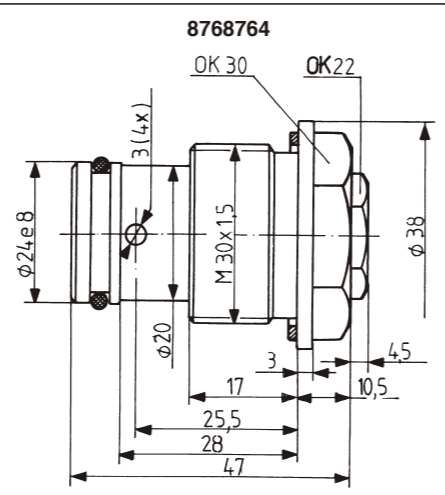
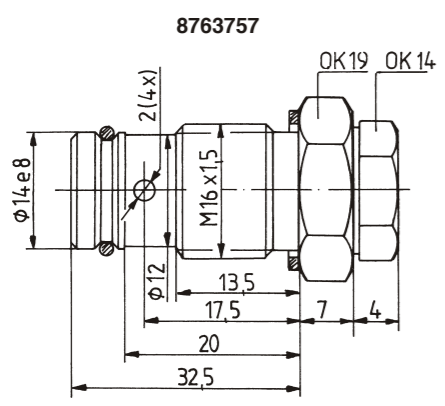
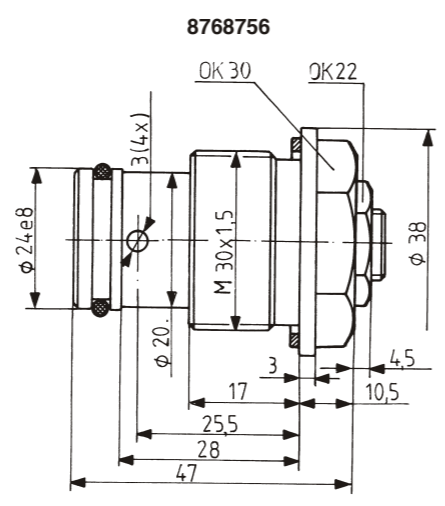
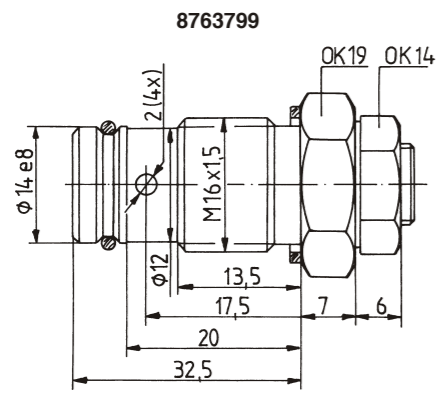
#### GENERAL

Nominal size	4	6	46	
Designation	<b>8763757</b>	<b>8768764</b>	<b>8763799</b>	<b>8768756</b>
Symbol				
Mounting position	Optional			
Ambient temperature (°C)	... +50			
Mass (kg)				

#### HYDRAULIC

Working pressure (bar)	400			
Flow (l/min)	10	20	10	20
Cracking pressure (bar)	0,6-			
Working fluid	mineral oil			
	viscosity (mm <sup>2</sup> s)	11,6 - 230		
	temperature (°C)	-20 à +70		

**MOUNTING DRAWING** (dimensions in mm)



	l1	l2	l3	d1	d2	d3	d4	d5	d6
ND. 4	26,5	16,5	14	M16x1,5	22 <sup>+0,4</sup>	25	∅14 H8	4	2,5
ND. 6	37	23	20	M30x1,5	37 <sup>+0,4</sup>	40	∅24 H8	5	4

**WARNING**

Errors in the selection or use of the products and / or systems described, can cause serious personal injury and property damage. It is critical that all aspects of the application and the operating conditions and products chosen are analyzed and re-examined. Making own tests and evaluations, the user is the only one able to ensure compliance with performance, safety and cautionary use requirements. The general sales conditions are provided by Revortex in the sales offer and in the order confirmation. Technical information, drawings, images and material characteristics in this catalog are just informative. Certifications or declarations must be required during the offer request phase. The logo is owned by Revortex. Descriptions, materials, product catalogs and price lists can be changed at any time without previous information.



Orders@revortex.eu



Technicalsupport@revortex.eu



Purchasing@revortex.eu

Revortex srl

Sede legale: Via Bruno Tosarelli, 23 - 40055 - Villanova di Castenaso - BO - Italy  
 Sede produttiva: Via Saragat, 26 - 40062 - Molinella - BO - Italy  
 info@revortex.eu - revortex.eu  
 PI 03738231202