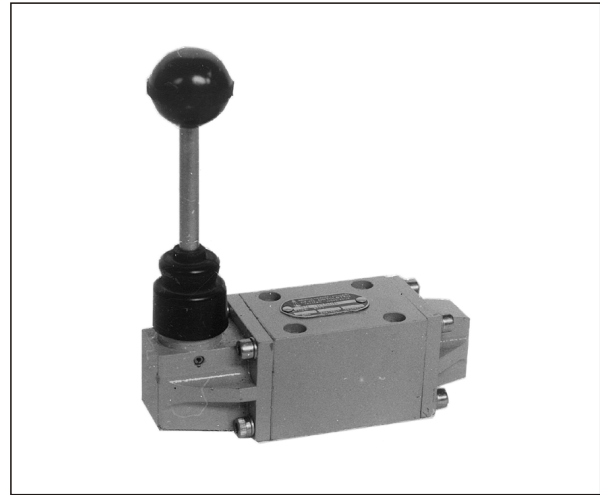
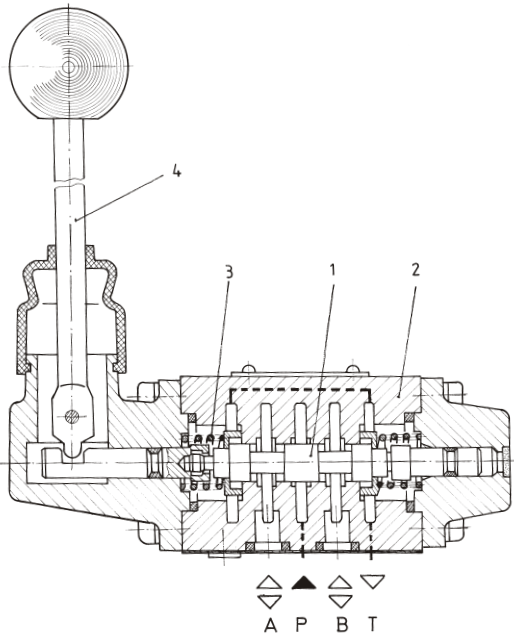


PISTON TYPE, HAND OPERATED - BY LEVER



- Simple design with axially sliding spool
- Housing made of high - grade nodular casting
- Good pressure balancing, i. e. small operating force
- The valve is hand operated by means of lever, spring centred or it can be fixed in any position with detent
- Many variants of directional control

1. Spool
2. Housing
3. Spring
4. Lever

TECHNICAL DATA

GENERAL

Nominal size	6	10
Symbol	See designation	
Mounting method	On subplate	
Mounting position	Optional	
Ambient temperature (°C)	...+50	
Mass (kg)	1,9	5,5

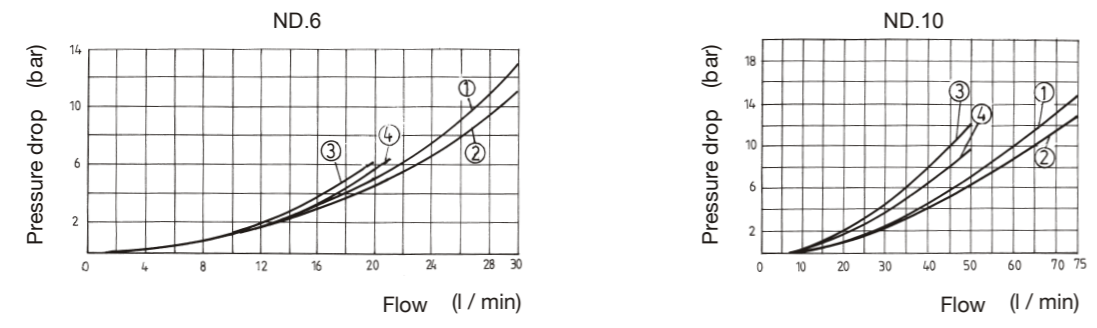
HYDRAULIC

Pressure (bar)	lines A, B, P; 315	
	Line T; 60	
Max flow (l/min)	25	70
Working fluid	mineral oil	
	viscosity (mm ² s)	11,6 - 230
	temperature (°C)	-20 à +70

ACTUATION METHOD

Hand	lever stroke	See mounting drawing
	swing angle	

CHARACTERISTIC DIAGRAMS (oil viscosity 60mm² s)



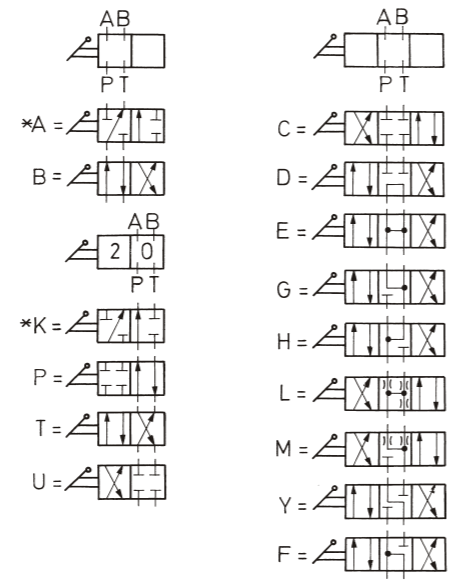
Symbol	Flow direction		
	P ↔ A	P ↔ B	P ↔ T
A, B, M	①	①	-
C, E, F, G, H, P, V, U, T, L	②	②	-
D	④	④	③

DESIGNATION

VALVES

Nominal size: 1 = ND. 6
2 = ND. 10

Symbol:



Port T is used as drain port

Positioning: Z = [Symbol] detent built - in
O = [Symbol] without detent

93 - 0 * 00 **

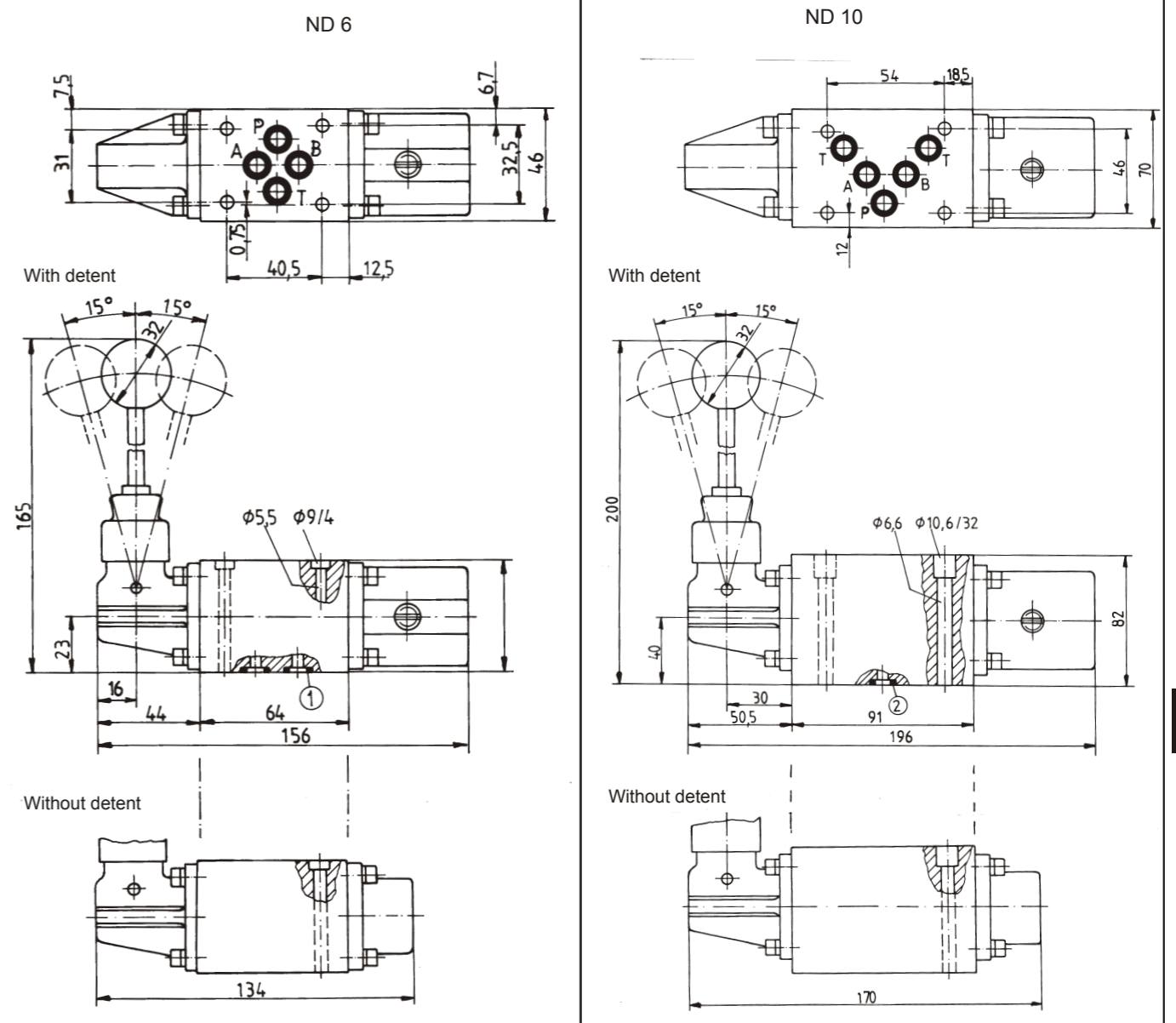
SUBPLATES (see chapter M)

Nominal size: 30 = ND. 6
40 = ND. 10

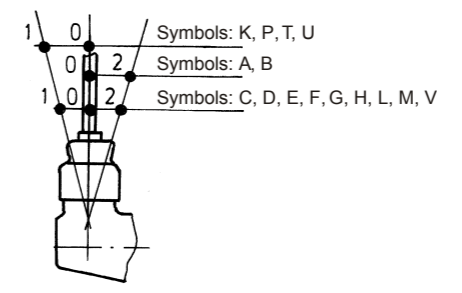
95 - 01 * - 1

Note: O - rings are delivered together with the valves

MOUNTING DRAWING (dimensions in mm)



LEVER POSITION



① O - ring 80 ② O - ring 12,30 ,4

WARNING

Errors in the selection or use of the products and / or systems described, can cause serious personal injury and property damage. It is critical that all aspects of the application and the operating conditions and products chosen are analyzed and re-examined. Making own tests and evaluations, the user is the only one able to ensure compliance with performance, safety and cautionary use requirements.

The general sales conditions are provided by Revortex in the sales offer and in the order confirmation.

Technical information, drawings, images and material characteristics in this catalog are just informative.

Certifications or declarations must be required during the offer request phase.

The logo is owned by Revortex.

Descriptions, materials, product catalogs and price lists can be changed at any time without previous information.



Orders@revortex.eu



Technicalsupport@revortex.eu



Purchasing@revortex.eu

Revortex srl

Sede legale: Via Bruno Tosarelli, 23 - 40055 - Villanova di Castenaso - BO - Italy

Sede produttiva: Via Saragat, 26 - 40062 - Molinella - BO - Italy

info@revortex.eu - revortex.eu

PI 03738231202